



"Integrity, communication, and down-to-earth" is the company's philosophy of continuous implementation

Aluminium Ringlock Scaffold

RINGLOCK CATALOG

EASIER FOR HIGHER

"Easier for higher," "High" not only represents the outstanding performance of the company, but also represents our unremitting pursuit of the highest quality and highest standards



INTEGRITY



COMMUNICATION



DOWN-TO-EARTH

APAC
Pioneer of work zone safety Solutions



APAC
Pioneer of work zone safety Solutions

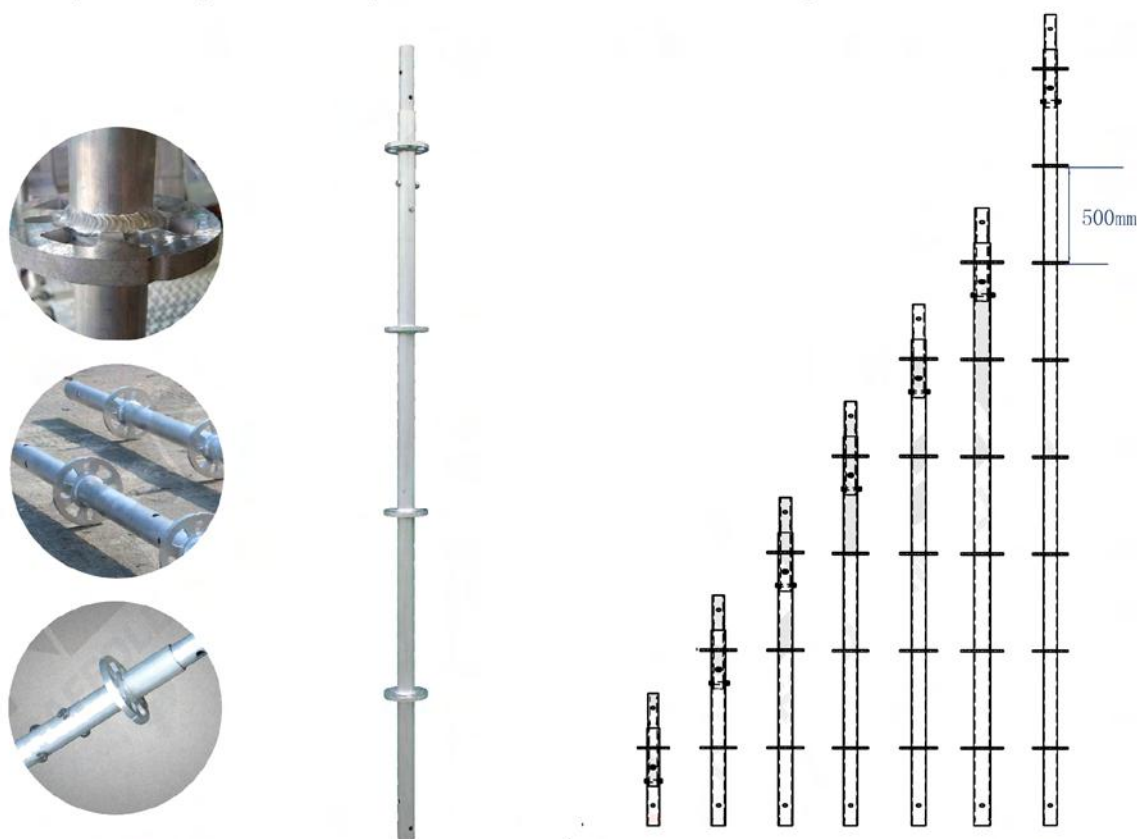
CONTENTS

STANDARDS	-----	01
TRANSOM / LEDGER	-----	02
DIAGONAL BRACE	-----	03
STARTER CUP (BASE COLLAR)	-----	04
ALUMINUM BASE JACK	-----	05
CASTER WHEEL	-----	06
ALUMINUM PLATFORM STAIRS	-----	07
ALUMINUM STAIR INNER GUARDRAIL	-----	08
ALUMINUM STAIR GUARDRAIL	-----	09
ALUMINUM PLANK	-----	10
ALUMINUM PLANK WITH INTEGRATED LADDER	-----	11
SCAFFOLD PALLET	-----	12

RINGLOCK SCAFFOLD

STANDARDS

Standards are the essential vertical scaffolding poles that support the Ringlock scaffolding system. With rosettes at 500mm increments standards offer unparalleled flexibility and precision to scaffold to any specification quickly and safely, all our components are compliant to Australia and New Zealand building standards.



STANDARD WITH BOLTED SPIGOT					
PRODUCT		DIMENSIONS		WEIGHT	
CODE	DESCRIPTION	METERS	FEET	KG	LBS
ALRS-S-05	Standard 0.5m(1 Ring)-Bolted Spigot	0.5m	1.64'	1.6	3.53
ALRS-S-10	Standard 1.0m(2 Ring)-Bolted Spigot	1.0m	3.28'	2.5	5.51
ALRS-S-15	Standard 1.5m(3 Ring)-Bolted Spigot	1.5m	4.92'	3.3	7.28
ALRS-S-20	Standard 2.0m(4 Ring)-Bolted Spigot	2.0m	6.56'	4.1	9.04
ALRS-S-25	Standard 2.5m(5 Ring)-Bolted Spigot	2.5m	8.20'	5.0	11.07
ALRS-S-30	Standard 3.0m(6 Ring)-Bolted Spigot	3.0m	9.84'	5.8	12.79
ALRS-S-40	Standard 4.0m(8 Ring)-Bolted Spigot	4.0m	13.12'	7.2	15.87

RINGLOCK SCAFFOLD

TRANSOM / LEDGER

Transom scaffolding are the handrails and horizontal supports used throughout the modular Ringlock system. With the ability to make multiple length bays, ledgers offer a convenience, flexibility and precision to scaffold to any specification quickly and safely. Tested to NZ and AU standards, feature machine welded ends and range in length from 0.73m to 3.07m.

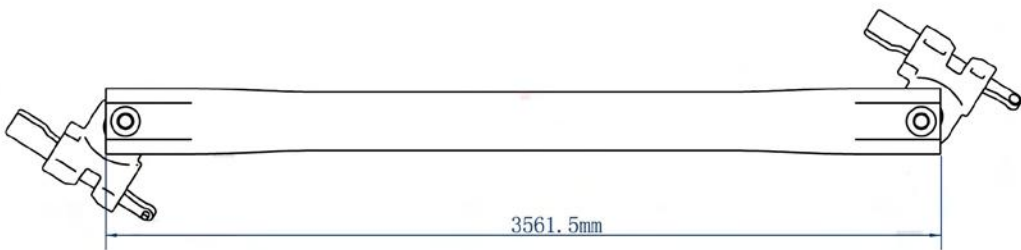


TRANSOM / LEDGER					
PRODUCT		DIMENSIONS		WEIGHT	
CODE	DESCRIPTION	METERS	FEET	KG	LBS
ALRS-T-0732	Transom / Ledger	0.73m	2.40'	1.4	3.09
ALRS-T-1090		1.09m	3.58'	1.8	3.97
ALRS-T-1400		1.40m	4.59'	2.2	4.85
ALRS-T-1572		1.57m	5.15'	2.4	5.29
ALRS-T-2072		2.07m	6.79'	3.0	6.61
ALRS-T-2572		2.57m	8.43'	3.6	7.94
ALRS-T-3072		3.07m	10.07'	4.3	9.48

RINGLOCK SCAFFOLD

DIAGONAL BRACE

Diagonals are the essential diagonal scaffolding braces used to stabilise the scaffolding and are often seen on the outside facing of the Ringlock scaffolding system. Our precision engineered diagonal scaffolding braces offer safety and exactness in the correct posture of your scaffolding platform ensuring a stable base to work from. Tested to NZ and AU standards, feature crimped swivel ends and range in length from 0.73m to 3.07m.

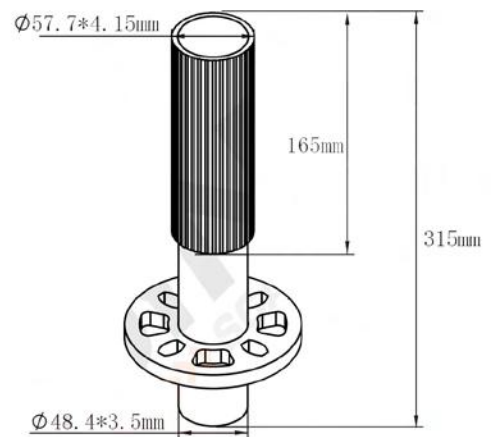
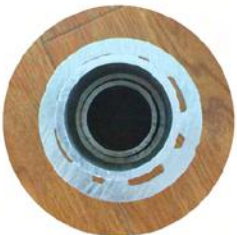
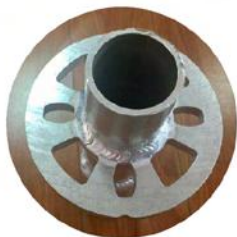


DIAGONAL BRACE					
PRODUCT		DIMENSIONS		WEIGHT	
CODE	DESCRIPTION	METERS	FEET	KG	LBS
ALRS-DB-0.73x2m	Diagonal brace	2.11m	6.92'	1.4	3.09
ALRS-DB-1.09x2m		2.24m	7.35'	1.8	3.97
ALRS-DB-1.40x2m		2.38m	7.81'	2.2	4.85
ALRS-DB-1.57x2m		2.48m	8.14'	2.4	5.29
ALRS-DB-2.07x2m		2.80m	9.19'	3.0	6.61
ALRS-DB-2.57x2m		3.16m	10.37'	3.6	7.94
ALRS-DB-3.07x2m		3.56m	11.68'	4.3	9.48

RINGLOCK SCAFFOLD

STARTER CUP (BASE COLLAR)

The Starter Cup/Base collar is the beginning vertical member of the Ringlock Scaffolding system. It sits upon a fixed or adjustable base.



STARTER (BASE COLLAR)					
PRODUCT		DIMENSIONS		WEIGHT	
CODE	DESCRIPTION	METERS	FEET	KG	LBS
ALRS-BC	Starter (Base Collar)	0.315m	1.03'	0.751	1.66

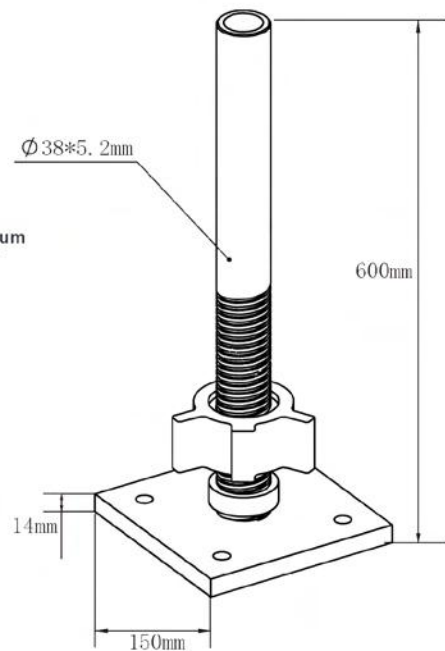
RINGLOCK SCAFFOLD

ALUMINUM BASE JACK

The BASE JACK is used as a starting base for a scaffold. It is adjustable in height to allow for compensation on uneven surfaces so that a level scaffold is always attainable.



Material: Aluminium



ALUMINUM BASE JACK					
PRODUCT		DIMENSIONS		WEIGHT	
CODE	DESCRIPTION	MILLIMETER	FEET	KG	LBS
ALRS-BJ	Aluminum Base Jack	600mm	1.97'	2.024	4.46

RINGLOCK SCAFFOLD

CASTER WHEEL WITH ADJUSTABLE SCREW

The 8" Caster is designed to provide mobility to a small to medium size scaffold tower allowing the tower to roll across flat surfaces.



Material: Steel
Loading Capacity : 900KG



Material: Aluminium
Loading Capacity : 700KG



Material: Aluminium
Loading Capacity : 700KG

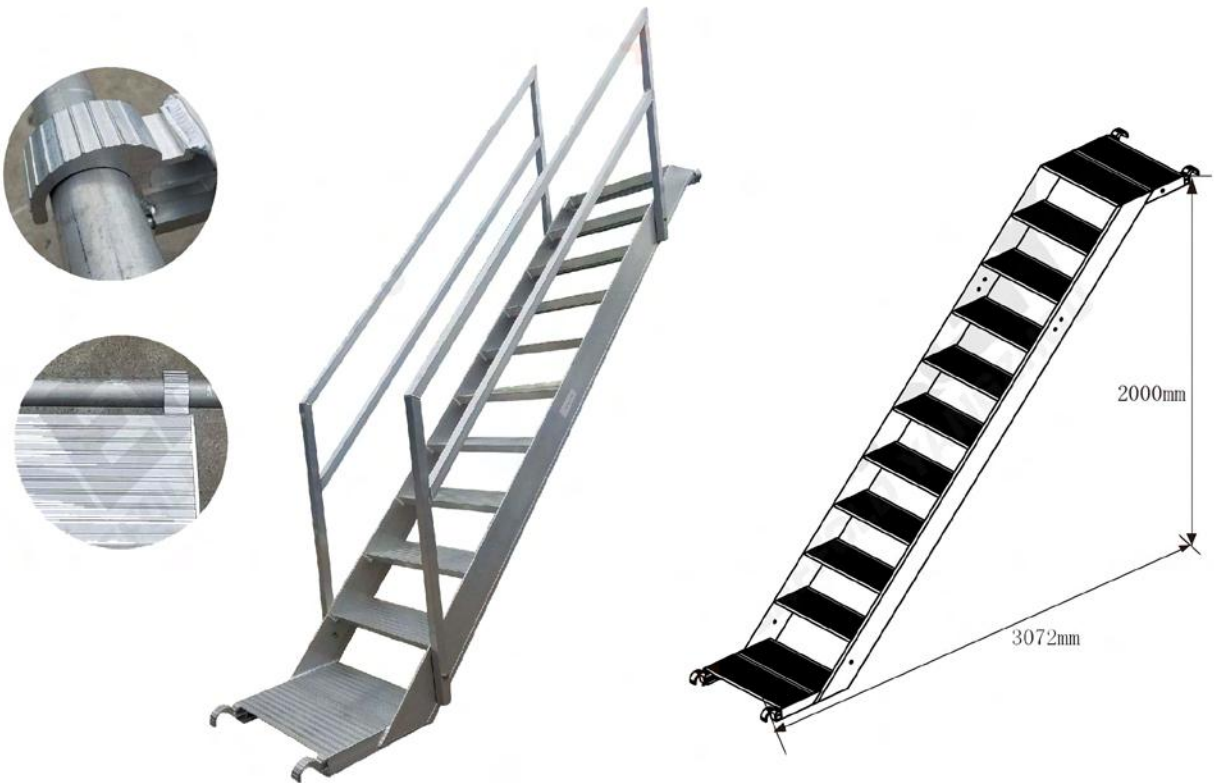


CASTER WHEEL WITH ADJUSTABLE SCREW					
PRODUCT		DIMENSIONS		WEIGHT	
CODE	DESCRIPTION	MILLIMETER	INCH	KG	LBS
RS-CWAS-S6	Caster wheel with adjustable screw	150mm	6	4.73	10.43
RS-CWAS-A6		150mm	6	3.96	8.73
RS-CWAS-S8		200mm	8	6.30	13.89
RS-CWAS-A8		200mm	8	5.83	12.85

RINGLOCK SCAFFOLD

ALUMINUM PLATFORM STAIRS

Aluminum Platform Stairs are used to provide safe and convenient means of access/egress from the working areas of scaffolds. Their lightweight aluminum construction allows the design to incorporate the stairs and landing in one unit, saving labour and time.



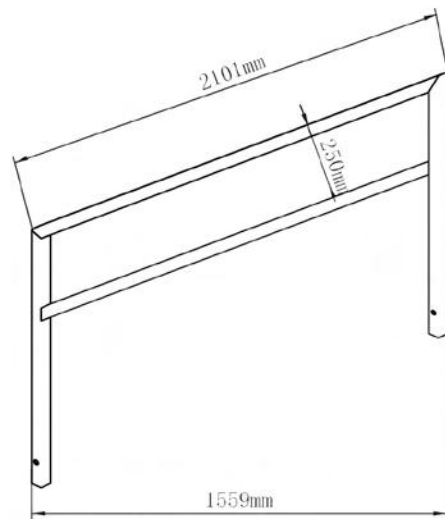
ALUMINUM PLATFORM STAIRS					
PRODUCT		DIMENSIONS		WEIGHT	
CODE	DESCRIPTION	METERS	FEET	KG	LBS
ALRS-PS2570	Aluminum Platform Stairs	2.57m	8.43	42.9	94.58
ALRS-PS3070		3.07m	10.07'	46.3	102.07

SWL: 225KG

RINGLOCK SCAFFOLD

ALUMINUM STAIR INNER GUARDRAIL

The Aluminum Stair Guardrail is used to provide a handrail on the inner side of the Aluminum Stair Platform. It attaches to the Stair Stringer channel.

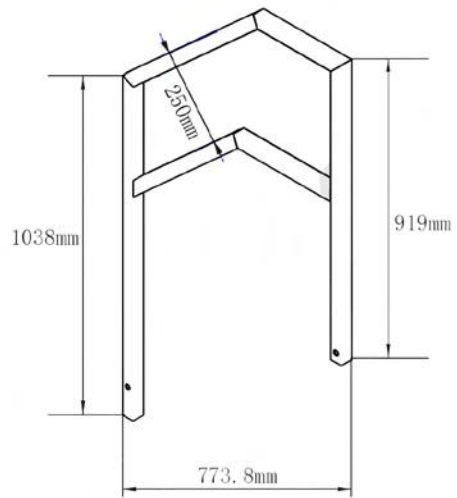


ALUMINUM STAIR INNER GUARDRAIL					
PRODUCT		DIMENSIONS		WEIGHT	
CODE	DESCRIPTION	METERS	FEET	KG	LBS
ALRS-PSIG2570	ALUMINUM STAIR INNER GUARDRAIL	2.57m	8.43	5.04	11.11
ALRS-PSIG3070		3.07m	10.07'	5.39	11.88

RINGLOCK SCAFFOLD

ALUMINUM STAIR GUARDRAIL

The upper end of the Aluminum Stair Inner Extended Guardrail provides an extension to provide an additional guardrail to the upper platform.

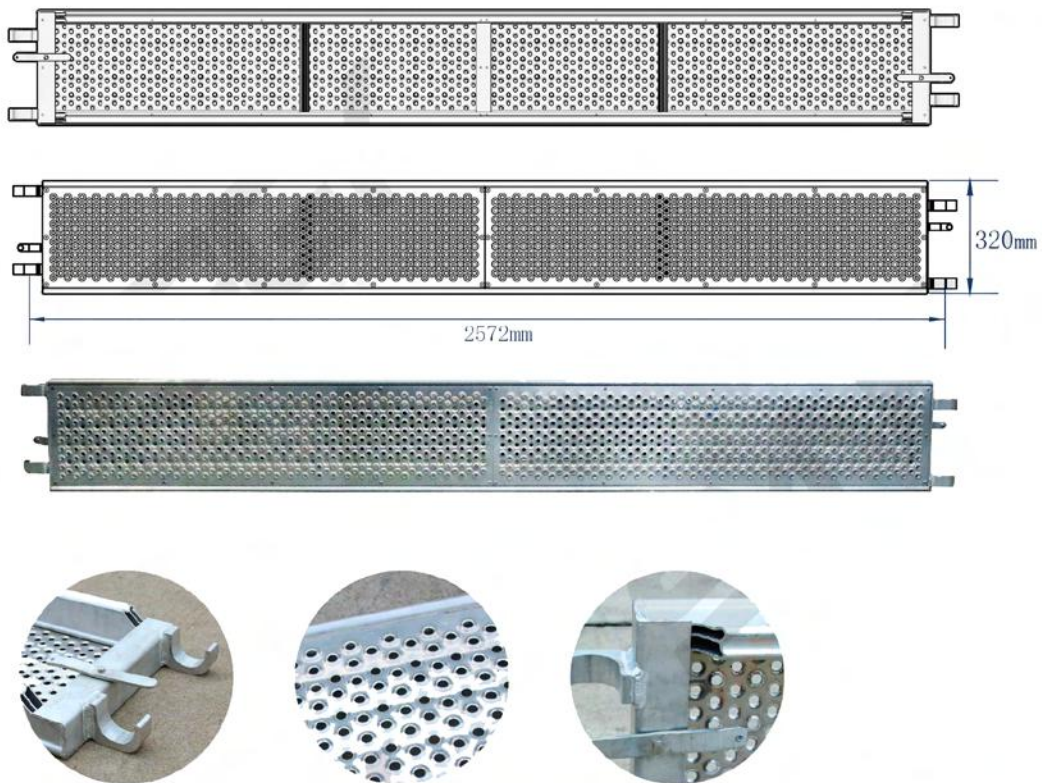


ALUMINUM STAIR GUARDRAIL					
PRODUCT		DIMENSIONS		WEIGHT	
CODE	DESCRIPTION	METERS	FEET	KG	LBS
ALRS-SG2570	Aluminum Stair Guardrail	2.57m	8.43	2.57	6.72
ALRS-SG3070		3.07m	10.07'	3.05	5.67

RINGLOCK SCAFFOLD

ALUMINUM PLANK

Aluminum Planks provide the walking and standing platforms of your Ringlock scaffolding system. Our aluminum planks are precision made to ensure a secure fit. The design of the plank is patented and tested to AS /NZS 1576.3:2015 range in length from 0.73m to 3.07m.

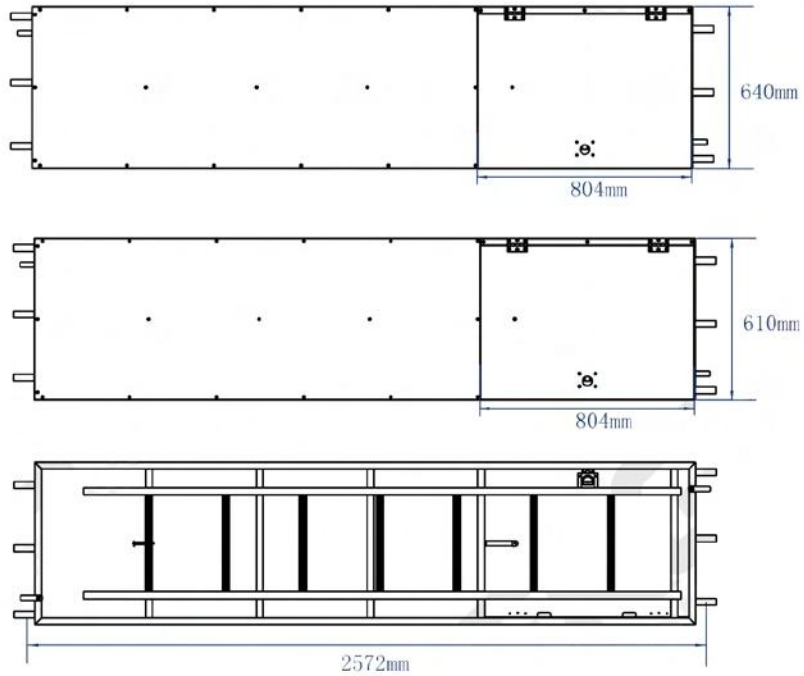


ALUMINUM PLANK					
PRODUCT		DIMENSIONS		WEIGHT	
CODE	DESCRIPTION	METERS	FEET	KG	LBS
ALRS-P730	Aluminum plank	0.73m	2.40'	4.01	8.84
ALRS-P1090		1.09m	3.58'	6.02	13.27
ALRS-P1400		1.40m	4.59'	7.73	17.04
ALRS-P1570		1.57m	5.15'	8.67	19.11
ALRS-P2070		2.07m	6.79'	11.43	25.20
ALRS-P2570		2.57m	8.43'	14.19	31.28
ALRS-P3070		3.07m	10.07'	16.95	37.37

SWL: 225KG

RINGLOCK SCAFFOLD

ALUMINUM PLANK WITH INTEGRATED LADDER



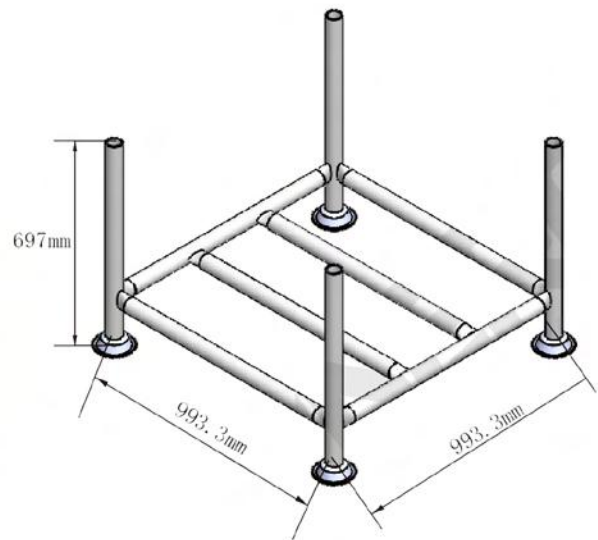
ALUMINUM PLANK WITH INTEGRATED LADDER					
PRODUCT		DIMENSIONS		WEIGHT	
CODE	DESCRIPTION	METERS	FEET	KG	LBS
ALRS-PIL2570	Aluminum plank with integrated ladder	2.57m	8.43'	26.23	57.83

SWL: 225KG

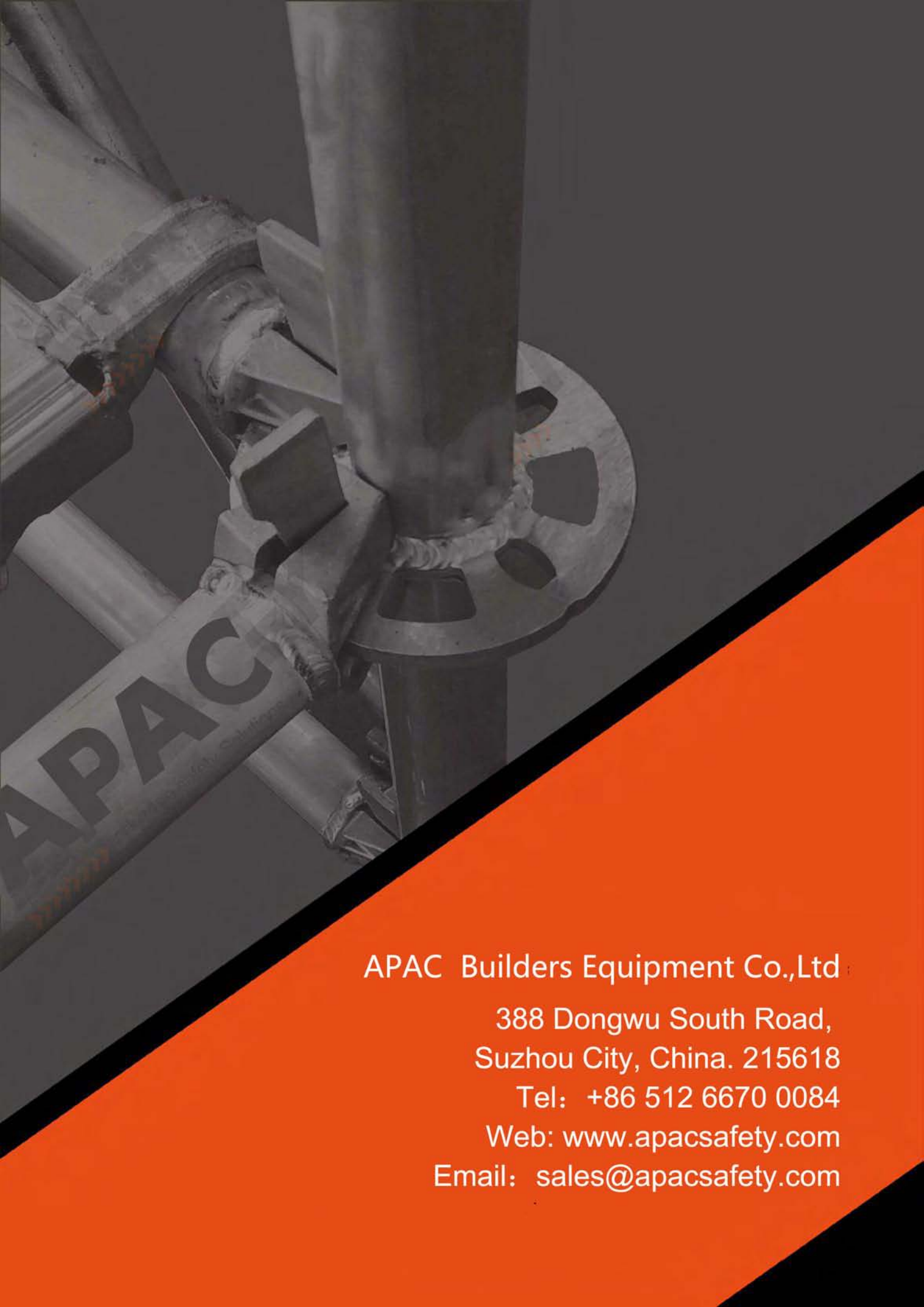
RINGLOCK SCAFFOLD

SCAFFOLD PALLET

The Scaffold Pallet is designed for storage of larger items such as standards, ledgers, steel plank, etc.



SCAFFOLD PALLET					
PRODUCT		DIMENSIONS		WEIGHT	
CODE	DESCRIPTION	METERS	FEET	KG	LBS
SRS-SR	Scaffold Pallet	0.69m	2.26'	65	143.3



APAC

APAC Builders Equipment Co.,Ltd

388 Dongwu South Road,
Suzhou City, China. 215618

Tel: +86 512 6670 0084

Web: www.apacsafety.com

Email: sales@apacsafety.com