



CUPLOCK SYSTEM PRODUCT CATALOG

NORTH AMERICA & SOUTH AMERICA

www.apacscaffold.com



SCAFFOLDING
— BY APAC GROUP —

TABLE OF CONTENTS

ABOUT APAC	02
OVERVIEW	03-04
COMPONENTS	05-31



Cuplock Standard	05
Cuplock Ledger	06
Cuplock Truss	07
CUPLOK Swivel Face Braces	08
CUPLOK Swivel Clamp Braces	09
Steel Plank 9" Width	10
Hop Up Bracket	11
Adjustable Caster Adapert	12
Adjustable Base Jack	13
Swivel Base Jack	14
12" Caster Wheel	15
Safety Gate	16
Steel Ladder	17
Ladder Bracket	18
Intermediate Transom	19
Steel Stair With Handrails	20
Deck Adapter	21
Cantilever Extension Adapter	22
Return Device	23
Spigot Adapter Clamp	24
LVL Scaffold Planks	25
Scaffold High Rack	26
Scaffold Rack	27
Scaffold Cage	28

ABOUT

APAC SCAFFOLD



Founded in 2004, APAC scaffold specializes in supplying of system scaffolding & falseworks.

The company has always strived to set and maintain the very highest of standard in safety and the supply of the highest quality formwork and scaffolding components.

Our key products: Ringlock scaffolding system, Cuplock scaffolding system, Aluminum scaffolding system, Shoring props and Formwork Products. Focus on the technical development and to meet the needs of our customers we adopt a lot of new technology and inspirational ideas to our products.

Our scaffoldings which are widely used in residential, shipbuilding, mining, insulation, oil & petroleum, airports, bridges etc.

OVERVIEW

APAC'S Capabilities

[EXPERTISE]

Between most our team members we have decades of experience in the industry. Many sales are mechanical background, can better understand the customer's project needs, in our view, this is very important in international trade, is conducive to less customer communication costs.

In dealing with us, you have the benefit of dealing with an experienced, professional, and motivated team who's committed to attention to detail, working to a budget, a timeline and qualified products.

[PRODUCTIVITY]

APAC Scaffold is a professional construction material supplier, producing various equipment for construction industry, such as Aluminium scaffolding, ringlock scaffolding, cuplock scaffolding, shoring prop, and related accessories.

We operate professional production workshops and equipment, including punching machines, welding machines, pipe cutting machines, shearing machines, bending machines, screw machines etc. After years of hard work, we can produce up to 30,000 tons of equipments annually and our products are sold in many countries.

[QUALITY ASSURANCE]

We have established a quality assurance department to make sure that our products meet customer requirements. Based on the ISO9001 Quality Management System, our professional team strictly examines every procedure, from supplier verification to examination of raw materials, production, and finished products, to ensure the high quality of products.

We fully understand the scaffolding standard such as EN12811, EN12810, AS/NZS1576.2, ANSI/SSFI SC100-5/05, NCH2501, GOST 27321-2018 and GOST 24258-88 for different countries.

OVERVIEW

Product Traceability

All APAC scaffold componets are stamped with traceability marks.

KEY |

Batch Number : APACYYXXXX

APAC= APAC Scaffold

YY= Year of Manufacture

XXXX= Order Number



CUPLOCK

Cuplock Standard

Cuplock Standard (Vertical), Tube size: $\text{OD}48.3 \times 3.2\text{mm}$, Steel Grade: S235 or S355, Distance between two cups 500mm, Top cup drop forged and Bottom cup pressed. Surface treatment: Hot dip galvanized or Painted.



Item No.	Description	Height	Weight	Packaging	
		Meters	kgs	Qty.	Type
AS-CV30	Vertical With Spigot 3.0 meter/ 9'10"	3.0	17.0	150	Rack
AS-CV25	Vertical With Spigot 2.5 meter/ 8'2"	2.5	14.0	150	Rack
AS-CV20	Vertical With Spigot 2.0 meter/ 6'6"	2.0	11.5	150	Rack
AS-CV15	Vertical With Spigot 1.5 meter/ 4'11"	1.5	8.7	150	Rack
AS-CV10	Vertical With Spigot 1.0 meter/ 3'3"	1.0	6.0	150	Rack
AS-CV05	Vertical With Spigot 0.5 meter/ 1'8"	0.5	3.5	300	Rack

CUPLOCK

Cuplock Ledger

The CUPLOK Ledgers are manufactured from a 48.3 mm O.D. tube with forged steel blade ends which locate into bottom cups of the Standards and are locked in place by the the corresponding top cups.



Item No.	Description	Length	Weight	Packaging	
		Meters	kgs	Qty.	Type
AS-CH100	CUPLOK Ledger 10'3.05 meter	3.05	11.2	250	Rack
AS-CH090	CUPLOK Ledger 9'2.74 meter	2.74	10.0	250	Rack
AS-CH080	CUPLOK Ledger 8'2.44 meter	2.44	9.0	250	Rack
AS-CH070	CUPLOK Ledger 7'2.13 meter	2.13	8.0	250	Rack
AS-CH060	CUPLOK Ledger 6'1.83 meter	1.83	7.2	250	Rack
AS-CH052	CUPLOK Ledger 5'2"/1.57 meter	1.57	7.0	250	Rack
AS-CH050	CUPLOK Ledger 5'1.52 meter	1.52	6.0	250	Rack
AS-CH040	CUPLOK Ledger 4'1.22 meter	1.22	4.8	250	Rack
AS-CH036	CUPLOK Ledger 3'6' /1.07 meter	1.07	4.2	250	Rack
AS-CH030	CUPLOK Ledger 3'0"/0.91 meter	0.91	3.7	250	Rack
AS-CH027	CUPLOK Ledger 2'7"/0.79 meter	0.79	3.6	500	Rack
AS-CH011	CUPLOK Ledger 1'10"/0.56 meter	0.56	2.3	500	Rack

CUPLOCK

Cuplock Truss

CUPLOK Truss is designed for high capacity loading platforms and overhead protective structures. Connects at 4 points, enhancing the rigidity of the scaffold.



Item No.	Description	Length	Weight	Packaging	
		Meters	kgs	Qty.	Type
AS-CTT07	Cuplock Truss 7' ¹ / ₂ 2.13 meter	2.13	16.0	60	Rack
AS-CTT08	Cuplock Truss 8' ¹ / ₂ 2.44 meter	2.44	24.4	60	Rack
AS-CTT09	Cuplock Truss 9' ¹ / ₂ 2.74 meter	2.74	27.5	60	Rack
AS-CTT10	Cuplock Truss 10' ¹ / ₂ 3.05 meter	3.05	30.4	60	Rack
AS-CTT12	Cuplock Truss 12' ¹ / ₂ 3.66 meter	3.66	36.0	60	Rack
AS-CTT14	Cuplock Truss 14' ¹ / ₂ 4.27 meter	4.27	42.0	60	Rack
AS-CTT16	Cuplock Truss 16' ¹ / ₂ 4.88 meter	4.88	49.5	60	Rack
AS-CTT18	Cuplock Truss 18' ¹ / ₂ 5.49 meter	5.49	54.8	60	Rack
AS-CTT20	Cuplock Truss 20' ¹ / ₂ 6.10 meter	6.10	70.0	60	Rack
AS-CTT21	Cuplock Truss 21' ¹ / ₂ 6.40 meter	6.40	88.0	60	Rack

CUPLOCK

Diagonal Braces

CUPLOK Swivel Face Braces are made from 48.3mm dia tube with a swivel blade at each end. Their function is to provide transverse and longitudinal bracing to scaffold structures. The brace is available in various lengths to suit the combination of bay widths and heights.



Item No.	Description	Length	Weight	Packaging	
		Meters	kgs	Qty.	Type
AS-CSFB04	Swivel Face Brace 4'x6'6"/1.22x2 meter	1.62	7.2	250	Rack
AS-CSFB05	Swivel Face Brace 5'x6'6"/1.52x2 meter	1.71	7.8	250	Rack
AS-CSFB051	Swivel Face Brace 5'11'x6'6"/1.80x2 meter	1.83	8.5	250	Rack
AS-CSFB07	Swivel Face Brace 7'x6'6"/2.13x2 meter	1.97	8.8	250	Rack
AS-CSFB08	Swivel Face Brace 8'x6'6"/2.44x2 meter	2.14	9.2	250	Rack
AS-CSFB082	Swivel Face Brace 8'2"x6'6"/2.50x2 meter	2.37	9.5	250	Rack
AS-CSFB09	Swivel Face Brace 9'x6'6"/2.74x2 meter	2.51	10	250	Rack
AS-CSFB10	Swivel Face Brace 10'x6'6"/3.05x2 meter	2.71	10.6	250	Rack

CUPLOCK

Diagonal Braces

CUPLOK Swivel Clamp Braces are made from 48.3mm dia tube with a half coupler at each end. Their function is to provide transverse and longitudinal bracing to scaffold structures. The brace is available in various lengths to suit the combination of bay widths and heights.

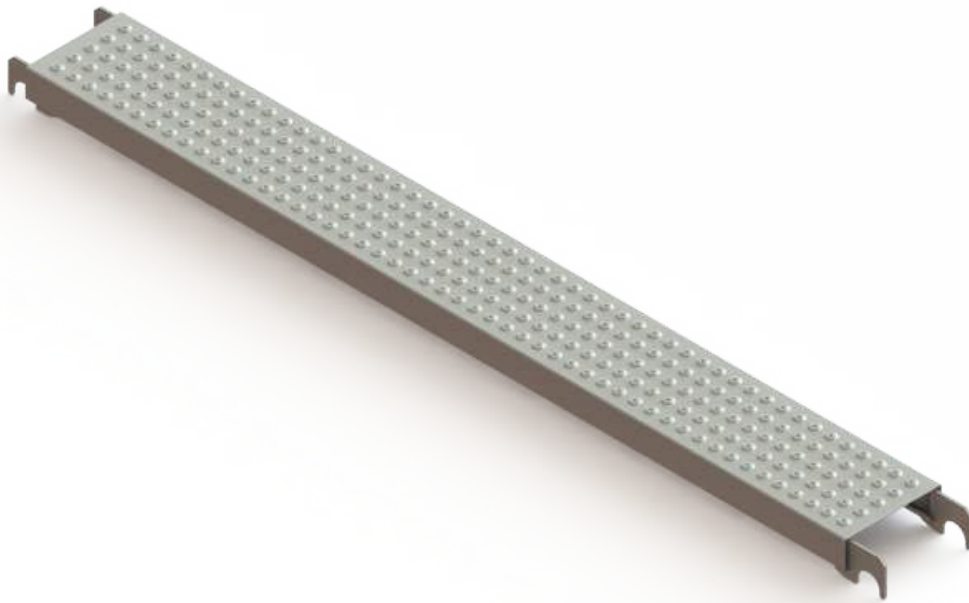


Item No.	Description	Length	Weight	Packaging	
		Meters	kgs	Qty.	Type
AS-CSCB04	Swivel Clamp Brace 4'1.22x2 meter	1.22	7.9	200	Rack
AS-CSCB05	Swivel Clamp Brace 5'x6'6"/1.52x2 meter	1.52	9.1	200	Rack
AS-CSCB07	Swivel Clamp Brace 7'x6'6"/2.13x2 meter	2.13	10.5	200	Rack
AS-CSCB08	Swivel Clamp Brace 8'x6'6"/2.44x2 meter	2.44	11.4	200	Rack
AS-CSCB082	Swivel Clamp Brace 8'2"x6'6"/2.5x2 meter	2.50	11.5	200	Rack
AS-CSCB086	Swivel Clamp Brace 8'6"x6'6" /2.57x2 meter	2.57	11.7	200	Rack
AS-CSCB09	Swivel Clamp Brace 9' x6'6"/2.74x2 meter	2.74	12.2	200	Rack
AS-CSCB10	Swivel Clamp Brace 10'x6'6"/3.05x2 meter	3.05	13.0	200	Rack

CUPLOCK

Steel Plank 9" Width

Cuplock Steel Plank, Steel Grade:S235 Width:228.6mm,Height:63.5mm, Thickness: 1.8mm. Surface treatment:Hot dip galvanized or Pre-galvanized.



Item No.	Description	Length	Weight	Packaging	
		Meters	kgs	Qty.	Type
AS-SSP100	Steel Plank with Hook 10'/3.05 meter	3.05	20.3	85	Rack
AS-SSP090	Steel Plank with Hook 9'/2.74 meter	2.74	18.4	85	Rack
AS-SSP080	Steel Plank with Hook 8'/2.44 meter	2.44	16.5	85	Rack
AS-SSP070	Steel Plank with Hook 7'/2.13 meter	2.13	14.7	85	Rack
AS-SSP060	Steel Plank with Hook 6'/1.83 meter	1.83	12.7	85	Rack
AS-SSP052	Steel Plank with Hook 5'2"/1.57 meter	1.57	10.5	85	Rack
AS-SSP040	Steel Plank with Hook 4'/1.22 meter	1.22	9.0	85	Rack
AS-SSP036	Steel Plank with Hook 3'6"/1.07 meter	1.07	8.0	85	Rack
AS-SSP030	Steel Plank with Hook 3'/0.91 meter	0.91	7.0	170	Rack
AS-SSP027	Steel Plank with Hook 2'7"/0.79 meter	0.79	6.3	170	Rack

CUPLOCK

Hop Up Bracket

CUPLOCK Hop up Brackets enable 1, 2 or 3 plank wide platforms to be placed between the scaffold and the workface. Cuplock Hop up Bracket, Tube size: 48.3×3.2mm & 33.4×2.5mm. Surface treatment: Hot dip galvanized or Painted.



Item No.	Description	Length	Weight	Packaging	
		Meters	kgs	Qty.	Type
AS-CBB1	1 Board Bracket 1'0.29meter	0.29	1.5	130	Rack
AS-CBB2	2 Board Bracket 1'10"/0.565meter	0.56	5.7	65	Rack
AS-CBB3	3 Board Bracket 2'7"/ 0.795meter	0.79	7.6	65	Rack

CUPLOCK

Adjustable Caster Adapert

Cuplock Caster Adapter is mainly used for connecting caster wheel to the vertical pole. Surface treatment: Hot dip galvanized or Painted.



Item No.	Description	Weight	Packaging	
		kgs	Qty.	Type
AS-CTBEAM183	CUPLOK Adjustable Caster Adapert	4.8	115	Rack

CUPLOCK

Adjustable Base Jack

Cuplock adjustable base jack is used for leveling the scaffold-standards at the same height. OD: 38mm. Surface treatment: Hot dip galvanized or Electroplated.



Item No.	Description	Length	Weight	Packaging	
		Meters	kgs	Qty.	Type
AS-ABJ24	24" Hollow Base Jack	0.6	4.0	500	Rack

CUPLOCK

Swivel Base Jack

Cuplock Swivel Base Jack can be used when standards need to be placed on slopes.
OD: 38×4.5mm. Surface treatment: Hot dip galvanized or Electroplated.



Item No.	Description	Length	Weight	Packaging	
		Meters	kgs	Qty.	Type
AS-SBJ24	24" Swivel Base Jack	0.6	4.5	500	Rack

CUPLOCK

12" Caster Wheel

Scaffolding caster wheel is used at bottom of scaffolding vertical tube, enabling the scaffolding system to be a mobile Platform.



Item No.	Description	Weight	Packaging	
		kgs	Qty.	Type
AS-CW12	12" Caster Wheel	16	10	Box

CUPLOCK

Safety Gate

The Cuplock safety gate allows safe access to the working platform, sprung gate mechanism ensures that the access opening remains fully closed when the scaffold is in use. Surfacetreatment: Hot dip galvanized.

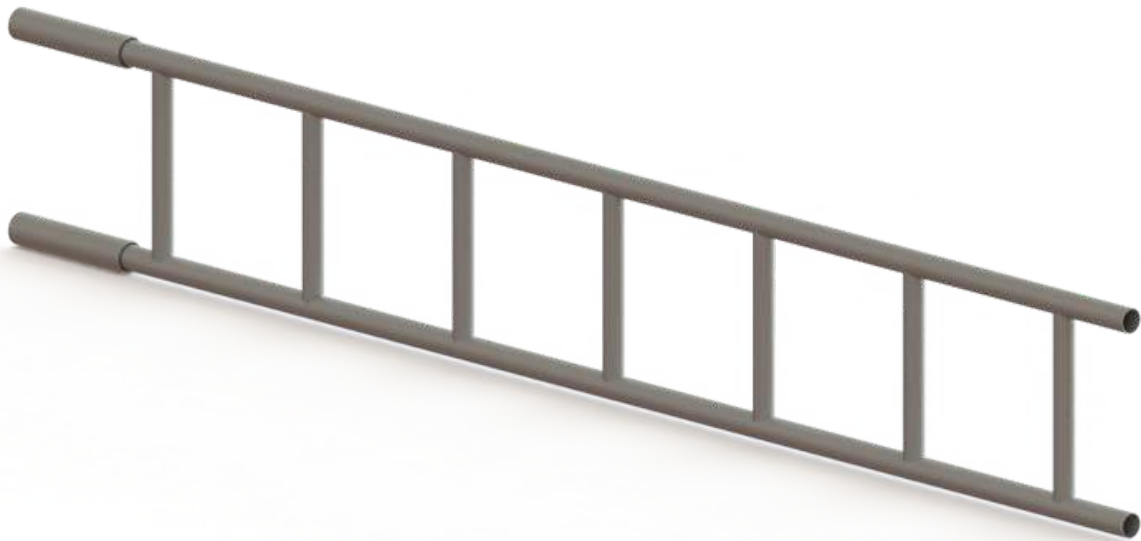


Item No.	Description	Weight	Packaging	
		kgs	Qty.	Type
AS-CSG	Safety Gate	8.5	65	Rack

CUPLOCK

Steel Ladder

The Ladder is designed to attach (using Ladder Brackets) on the inside or outside of a sca old to provide safe access to the various deck levels.

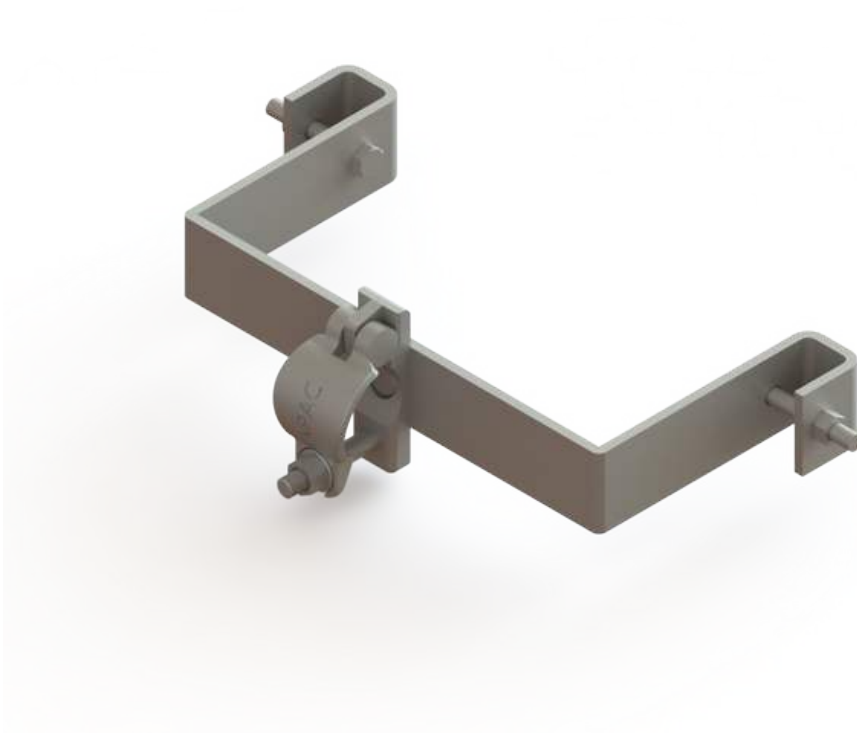


Item No.	Description	Length	Weight	Packaging	
		Meters	kgs	Qty.	Type
AS-L03	Steel Ladder 3'0.914 meter	0.91	8.2	40	Rack
AS-L05	Steel Ladder 5'1.52 meter	1.52	11.5	40	Rack
AS-L10	Steel Ladder 10'3.05 meter	3.05	21.9	40	Rack

CUPLOCK

Ladder Bracket

The Ladder bracket is designed to attach the ladders to the vertical or horizontal members of the scaffold tower.



Item No.	Description	Length	Weight	Packaging	
		Meters	kgs	Qty.	Type
AS-LB	Ladder Bracket	0.43	3.20	150	Rack

CUPLOCK

Intermediate Transom

Cuplock Ladder, Tube size: OD42x2.0mm, Width: 350mm Steel Grade: S235, Ladder Bracket: With half coupler steel, Sheet wall thickness 6mm, Steel Grade: S235. Surface treatment: Hot dip galvanized.



Item No.	Description	Length	Weight	Packaging	
		Meters	kgs	Qty.	Type
AS-CIT25	Intermediate Transom 2.5 meter	2.5	16.5	160	Rack
AS-CIT18	Intermediate Transom 1.8 meter	1.8	7.3	160	Rack
AS-CI13	Intermediate Transom 1.3 meter	1.3	5.5	160	Rack
AS-CIT12	Intermediate Transom 1.2 meter	1.2	5.2	160	Rack

CUPLOCK

Steel Stair With Handrails

Steel Stair with Handrails, 500mm Width, Q235 Steel, Hot Dip Galvanized



Item No.	Description	Length	Weight	Packaging	
		Meters	kgs	Qty.	Type
AS-KMG127	8'x6'6"(2.44x2m) Steel Stair with Handrails	2.44	100	14	Rack
AS-KMG183	7'x6'6"(2.13x2m) Steel Stair with Handrails	2.13	90	14	Rack

CUPLOCK

Deck Adapter

The Deck adapter is used to hold the ledger/horizontals which is fitted at top. Example of use: In cuplock scaffolding system to create dance floors.



Item No.	Description	Weight	Packaging	
		kgs	Qty.	Type
AS-CDA25	25" Deck Adapter	5.5	100	Rack

CUPLOCK

Cantilever Extension Adapter

The cantilever extension adapter extends cuplock cantilevers and brackets vertically to cuplock standards to create columns or guard railing systems in cuplock edge scaffold.

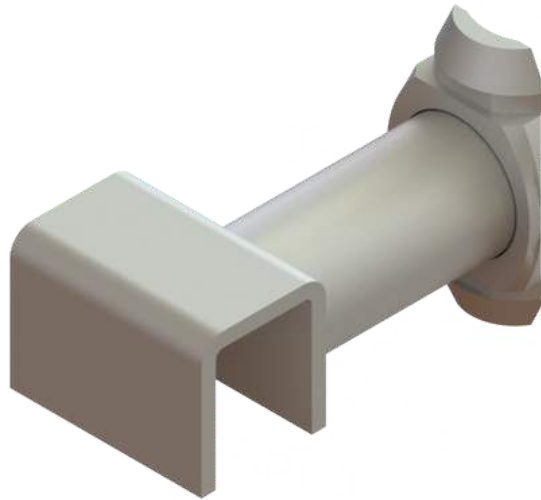


Item No.	Description	Weight	Packaging	
		kgs	Qty.	Type
AS-CCEA	Cantilever Extension Adapter	2.4	1000	Rack

CUPLOCK

Return Device

The Return Device is used where a further scaffold run is required at 90 degrees to the main scaffold, they are connected to a standard by the cup fastening and simply hook over the ledger on the next run.



Item No.	Description	Weight	Packaging	
		kgs	Qty.	Type
AS-CRD	Cuplock Return Device	1.5	1000	Rack

CUPLOCK

Spigot Adapter Clamp

The Spigot Adapter Clamp The cuplock spigot adapter clamp is a component that allows cuplock verticals standard any place in the middle of cuplock horizontals: cuplock lattice girders and beams, truss ledgers or ledgers, etc.



Item No.	Description	Weight	Packaging	
		kgs	Qty.	Type
AS-CSAC	Spigot Adapter Clamp	2.6	650	Rack

CUPLOCK

LVL Scaffold Planks

LVL Scaffold planks are Structural laminated veneer lumber and designed to be used as a non-modular scaffold plank as a part of a working platform.



Item No.	Description	Length	Weight	Packaging	
		Meters	kgs	Qty.	Type
AS-KLSP120	1.2m LVL Scaffold Plank	1.2	6.7	75	Rack
AS-KLSP150	1.5m LVL Scaffold Plank	1.5	8.4	75	Rack
AS-KLSP180	1.8m LVL Scaffold Plank	1.8	10.0	75	Rack
AS-KLSP240	2.4m LVL Scaffold Plank	2.4	13.4	75	Rack
AS-KLSP300	3.0m LVL Scaffold Plank	3.0	16.8	75	Rack
AS-KLSP360	3.6m LVL Scaffold Plank	3.6	20.1	75	Rack
AS-KLSP480	4.8m LVL Scaffold Plank	4.8	26.9	75	Rack

CUPLOCK

Scaffold High Rack

The scaffold High rack is designed for steel planks.



Item No.	Description	Weight	Packaging	
		kgs	Qty.	Type
AS-SHR1	Scaffold High Rack 1.5x1.095x2.0M	80	1	Rack
AS-SHR2	Scaffold High Rack 2.0x1.095x2.0M	85	1	Rack

CUPLOCK

Scaffold Rack

A steel structure built to hold goods in a stable fashion while being lifted by a forklift to stock, stack-up and transport.



Item No.	Description	Length	Width	Weight
		Meters	Meters	kgs
AS-KSR	Scaffold Rack	1.1	1.1	35

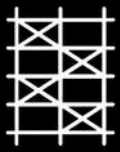
CUPLOCK

Scaffold Cage

A steel structure built to hold goods in a stable fashion while being lifted by a forklift to stock, stack-up and transport.



Item No.	Description	Length	Width	Weight
		Meters	Meters	kgs
AS-KSC	Scaffold Cage	1.0	0.8	38



SCAFFOLDING
— BY APAC GROUP —

CUPLOCK SYSTEM

North America & South America

[ADDRESS]

388 Dongwu South Rd.,
Suzhou City, R.P China
215168

[Phone]

+86 512 6670 0084

[EMAIL]

info@apacscaffold.com

[WEB]

www.apacscaffold.com

